



IMM.M.M.

GIII

Adattatori ORFS / ORFS Adaptor

G

IMMHy^{press}

IMM Group

Adattatori ORFS

Pagina / Page		3		4		4	
ORFS Nut		ORFS Sleeve					
	6010 ORFS Nut			6015 Sleeve	6020 Braze Sleeve		
Pagina / Page		5	5	6	6		
ORFS male							
	6000 Union ORFS	6300 90° Elbow Union ORFS	6350 Union Tee ORFS	6550 Cross Union ORFS			
Pagina / Page		7	8	8	9	9	10
ORFS Swivel							
	6056 Reducing F ORFS x M ORFS	6055 Swivel Nut Female F ORFS x M ORFS	6205 Swivel Nut Elbow F ORFS x M ORFS	6255 Swivel 45° Nut Elbow F ORFS x M ORFS	6620 Swivel Nut Run Tee ORFS	6630 Swivel Nut Branch Tee ORFS	
Pagina / Page		10	11	11	12	12	
ORFS ORFS bulkhead							
	6050 Bulkhead Union ORFS	6510 Bulkhead Union Elbow ORFS	6520 Bulkhead 45° Union Elb. ORFS	6500 Run Tee Connector ORFS Bulkhead	6490 Bulkhead Branch Tee ORFS		
Pagina / Page		13	13	14	14	15	15
UNF ORFS							
	6150 Bulkhead Connector M UNF x M ORFS	6100 Male Connector M UNF x M ORFS	6120 Swivel Nut female F ORFS x M UNF	6200 90° Elbow Connector UNF Orientable	6950 Long Adjustable Elbow M ORFS x M UNF	6250 45° Elbow Connector UNF Orientable	
Pagina / Page		16	16	17	17	17	
UNF ORFS			ORFS BSPT		ORFS NPTF		
	6400 Branch Tee Connector UNF Orientable	6450 Run Tee Connector UNF Orientable		6820 Male Connector M ORFS x M BSPT		6830 Male Connector M ORFS x M NPTF	

Dimensions and general characteristics may be changed at any time without prior notice.

Data contained herein are for information purpose only, and it does not enlarge, amend or imply any warranty other than provided by us with the product
Any use of the product not in conformance with our instructions may be dangerous.

Adattori ORFS

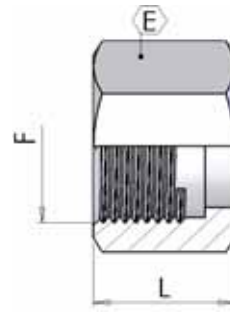
Pagina / Page	18	19	19	20	21	22
ORFS BSP						
	6036 Swivel Nut Female F ORFS x M BSP or (ED)	6800 Male Connector M ORFS x M BSP or	6810 Male Connector M ORFS x M BSP	6215 Adjustable Elbow M BSP x M ORFS	6260 Adjustable 45° Elbow M ORFS x M BSP	6340 Adj. Elb. with swivel nut M ORFS x M BSP
Pagina / Page	22	23				24
ORFS BSP				ORFS JIC		
	6460 Adjustable Run Tee ORFS - ORFS - BSP	6410 Adjustable Branch Tee ORFS - BSP - ORFS				6125 Swivel Nut Female F ORFS x M JIC
Pagina / Page	24	25	25	26	26	
ORFS METRIC						
	6900 Male Connector M ORFS x M Metric	6920 Long Male Connector M ORFS x M Metric	6320 Adjustable Elbow M ORFS x M Metric	6940 Long Adjustable Elbow M ORFS x M Metric	6270 Adjustable 45° Elbow M ORFS x M Metric	
Pagina / Page	27	27	28	29	29	
ORFS METRIC				ORFS Plug		
	6420 Adjustable Branch Tee ORFS - Metric - ORFS	6470 Adjustable Run Tee ORFS - ORFS - Metric	6840 Male Connector ORFS Metric (ISO 6149-2)		6600 ORFS Male Plug	6610 ORFS Female Plug

Dimensions and general characteristics may be changed at any time without prior notice.

Data contained herein are for information purpose only, and it does not enlarge, amend or imply any warranty other than provided by us with the product
Any use of the product not in conformance with our instructions may be dangerous.

6010 Dado ORFS

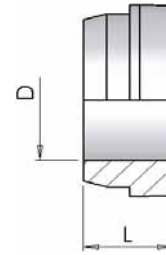
ORFS nut



part number	Ø tube		Dimensions		
	mm	inch	F	L	E
6010-06	6	1/4"	9/16 - 18	15,0	19
6010-09	8-10	5/16"-3/8"	11/16 - 16	17,0	22
6010-11	12	1/2"	13/16 - 16	20,0	24
6010-13	14-16	5/8"	1 - 14	24,0	30
6010-14	18-20	3/4"	1.3/16 - 12	26,5	36
6010-15	25	1"	1.7/16 - 12	27,5	41
6010-21	30-32	1.1/4"	1.11/16 - 12	27,5	50
6010-32	38	1.1/2"	2 - 12	27,5	60

6015 Bussola metrica

Metric sleeve



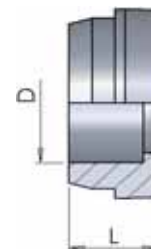
part number	Ø tube	Dimensions			
	mm	L	D		
6015-06	06	7,5	06		
6015-08	08	8,5	08		
6015-10	10	8,4	10		
6015-12	12	10,7	12		
6015-14	14	10,5	14		
6015-15	15	10,6	15		
6015-16	16	10,6	16		
6015-18	18	14	18		
6015-20	20	12,1	20		
6015-22	22	13,5	22		
6015-25	25	13,5	25		
6015-28	28	15,5	28		
6015-30	30	13	30		
6015-32	32	13	32		
6015-35	35	15,5	35		
6015-38	38	12,5	38		

6020 Bussola a saldare

Shoulder

trattamento superficiale:
surface treatment:

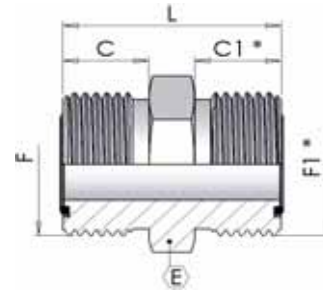
non zincato
without zinc plating



part number	Ø tube	Dimensions			
	mm	L	D		
6020-06	06	9,5	06		
6020-08	08	9,5	08		
6020-10	10	9,5	10		
6020-12	12	9,5	12		
6020-14	14	10,5	14		
6020-15	15	10,5	15		
6020-16	16	10,5	16		
6020-18	18	14	18		
6020-20	20	14	20		
6020-22	22	15,5	22		
6020-25	25	15,5	25		
6020-28	28	15,5	28		
6020-30	30	15,5	30		
6020-32	32	15,5	32		
6020-35	35	15,5	35		
6020-38	38	15,5	38		

6000 Nipplo maschio

Male connector



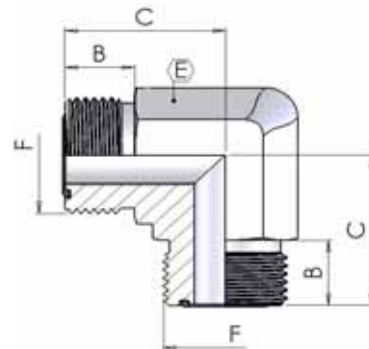
* - F1 e C1 sono indicate solo per le riduzioni

* - F1 and C1 are for jump size only

part number	Ø tube		Dimensions					
	mm	inch	F	F1	L	C	C1	E
6000-06	6	1/4"	9/16 - 18	-	27	10	-	17
6000-09	8-10	5/16"-3/8"	11/16 - 16	-	31	11	-	19
6000-11	12	1/2"	13/16 - 16	-	35	13	-	22
6000-11-09	8-10-12	5/16 to 1/2	13/16 - 16	11/16 - 16	34	13	11	22
6000-13	14-16	5/8"	1 - 14	-	43	16	-	27
6000-13-11	12-14-16	5/8"-1/2"	1 - 14	13/16 - 16	40	16	13	27
6000-14	18-20	3/4"	1.3/16 - 12	-	47	17	-	32
6000-14-13	14-16-18-20	5/8"-3/4"	1.3/16 - 12	1 - 14	46	17	16	32
6000-15	25	1"	1.7/16 - 12	-	49	18	-	38
6000-15-14	18-20-25	3/4"-1"	1.7/16 - 12	1.3/16 - 12	49	18	17	38
6000-21	30-32	1.1/4"	1.11/16 - 12	-	51	18	-	46
6000-32	38	1.1/2"	2 - 12	-	53	18	-	55

6300 Gomito a 90°

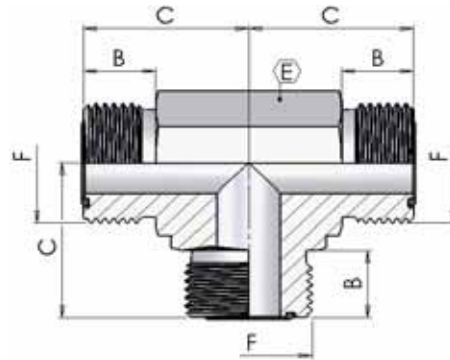
90° Elbow Union



part number	Ø tube		Dimensions			
	mm	inch	F	C	B	E
6300-06	6	1/4"	9/16 - 18	22	9	14
6300-09	8-10	5/16"-3/8"	11/16 - 16	25	10	19
6300-11	12	1/2"	13/16 - 16	28	12	19
6300-13	14-16	5/8"	1 - 14	33	14	27
6300-14	18-20	3/4"	1.3/16 - 12	37	15	30
6300-15	25	1"	1.7/16 - 12	38	18	32
6300-21	30-32	1.1/4"	1.11/16 - 12	45	18	41
6300-32	38	1.1/2"	2 - 12	49	18	48

6350 Unione a T

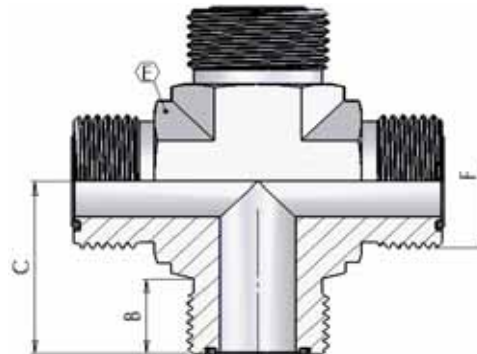
Union Tee



part number	Ø tube		Dimensions			
	mm	inch	F	C	B	E
6350-06	6	1/4"	9/16 - 18	22	10	14
6350-09	8-10	5/16"-3/8"	11/16 - 16	25	11	19
6350-11	12	1/2"	13/16 - 16	28	13	19
6350-13	14-16	5/8"	1 - 14	34	16	27
6350-14	18-20	3/4"	1.3/16 - 12	38	17	33
6350-15	25	1"	1.7/16 - 12	42	18	41
6350-21	30-32	1.1/4"	1.11/16 - 12	45	18	41
6350-32	38	1.1/2"	2 - 12	49	18	48

6550 Unione a croce

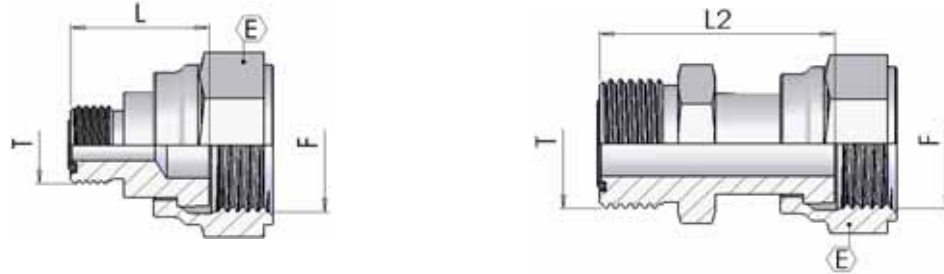
Cross Union



part number	Ø tube		Dimensions			
	mm	inch	F	C	B	E
6550-06	6	1/4"	9/16 - 18	22	10	14
6550-09	8-10	5/16"-3/8"	11/16 - 16	25	11	19
6550-11	12	1/2"	13/16 - 16	28	13	19
6550-13	14-16	5/8"	1 - 14	33	16	27
6550-14	18-20	3/4"	1.3/16 - 12	37	17	30
6550-15	25	1"	1.7/16 - 12	42	18	37
6550-21	30-32	1.1/4"	1.11/16 - 12	45	18	41
6550-32	38	1.1/2"	2 - 12	49	18	48

6056 **Riduzione maschio - femmina ORFS**

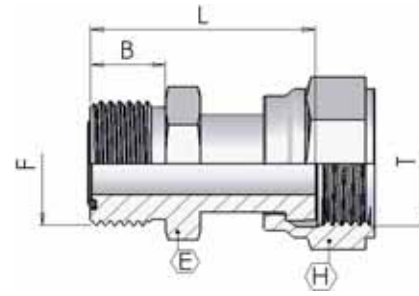
Reducing male - female ORFS



part number	Ø tube		Dimensions					
	mm	inch	F	T	L	L2	E	
6056-09-06	10-06	3/8"-1/4"	11/16""-16	9/16""-18	-	20	22	
6056-11-06	12-06	1/2"-1/4"	13/16""-16	9/16""-18	22	-	24	
6056-11-09	12-10	1/2"-3/8"	13/16""-16	11/16""-16	-	23	24	
6056-13-06	16-06	5/8"-1/4"	1"-14	9/16""-18	23	-	30	
6056-13-09	16-08	5/8"-5/16"	1"-14	11/16""-16	24	-	30	
6056-13-11	16-12	5/8"-1/2"	1"-14	13/16""-16	26	-	30	
6056-14-06	20-06	3/4"-1/4"	1.3/16""-12	9/16""-18	25	-	36	
6056-14-09	20-08	3/4"-5/16"	1.3/16""-12	11/16""-16	26	-	36	
6056-14-11	20-12	3/4"-1/2"	1.3/16""-12	13/16""-12	28	-	36	
6056-14-13	20-16	3/4"-5/8"	1.3/16""-12	1"-14	-	30	36	
6056-15-11	25-12	1"-1/2"	1.7/16""-12	13/16""-12	29	-	41	
6056-15-13	25-16	1"-5/8"	1.7/16""-12	1"-14	32	-	41	
6056-15-14	25-20	1"-3/4"	1.7/16""-12	1.3/16""-12	-	33	41	
6056-21-14	32-20	1"1/4"-3/4"	1.11/16""-12	1.3/16""-12	34	-	50	
6056-21-15	32-25	1-1"1/4"	1.11/16""-12	1.7/16""-12	-	39	50	
6056-32-15	38-25	1"1/2"-1"	2"-12	1.7/16""-12	34	-	60	
6056-32-21	38-32	1"1/2"-1"1/4"	2"-12	1.11/16""-12	34	-	60	

6055 Nipplo M/F ORFS

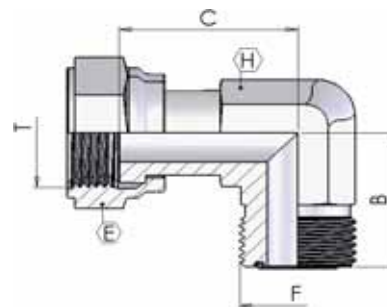
Swivel Union M/F ORFS



part number	Ø tube		Dimensions					
	mm	inch	F	T	B	L	E	
6055-06	6	1/4"	9/16"-18	9/16"-18	10	27	17	
6055-09	8-10	5/16"-3/8"	11/16"-16	11/16"-16	11	33	19	
6055-11	12	1/2"	13/16"-16	13/16"-16	13	36	22	
6055-13	14-16	5/8"	1"-14	1"-14	16	43	27	
6055-14	18-20	3/4"	1.3/16"-12	1.3/16"-12	17	43	32	
6055-15	25	1"	1.7/16"-12	1.7/16"-12	18	47	38	
6055-21	30-32	1.1/4"	1.11/16"-12	1.11/16"-12	18	48	46	
6055-32	38	1.1/2"	2"-12	2"-12	18	49	55	

6205 Gomito 90° Girevole M/F ORFS

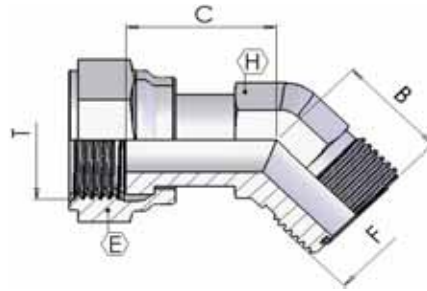
Swivel Nut Elbow M/F ORFS



part number	Ø tube		Dimensions						
	mm	inch	F	T	B	C	H	E	
6205-06	6	1/4"	9/16"-18	9/16"-18	22	27	14	19	
6205-09	8-10	5/16"-3/8"	11/16"-16	11/16"-16	25	29	19	22	
6205-11	12	1/2"	13/16"-16	13/16"-16	28	38	19	24	
6205-13	14-16	5/8"	1"-14	1"-14	34	41	27	30	
6205-14	18-20	3/4"	1.3/16"-12	1.3/16"-12	38	47	30	36	
6205-15	25	1"	1.7/16"-12	1.7/16"-12	42	54	37	41	
6205-21	30-32	1.1/4"	1.11/16"-12	1.11/16"-12	45	58	41	50	
6205-32	38	1.1/2"	2"-12	2"-12	49	61	48	60	

6255 Gomito 45° Girevole M/F ORFS

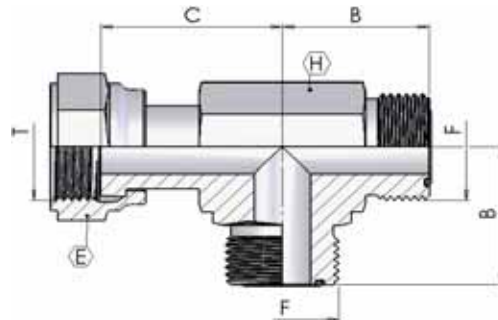
Swivel 45° Nut Elbow M/F ORFS



part number	Ø tube		Dimensions					
	mm	inch	F	T	B	C	H	E
6255-06	6	1/4"	9/16"-18	9/16"-18	16	22	14	19
6255-09	8-10	5/16"-3/8"	11/16"-16	11/16"-16	19	27	19	22
6255-11	12	1/2"	13/16"-16	13/16"-16	21	31	19	24
6255-13	14-16	5/8"	1"-14	1"-14	24	37	27	30
6255-14	18-20	3/4"	1.3/16"-12	1.3/16"-12	26	42	30	36
6255-15	25	1"	1.7/16"-12	1.7/16"-12	30	47	37	41
6255-21	30-32	1.1/4"	1.11/16"-12	1.11/16"-12	32	47	41	50
6255-32	38	1.1/2"	2"-12	2"-12	37	49	48	60

6620 T con femmina girevole laterale

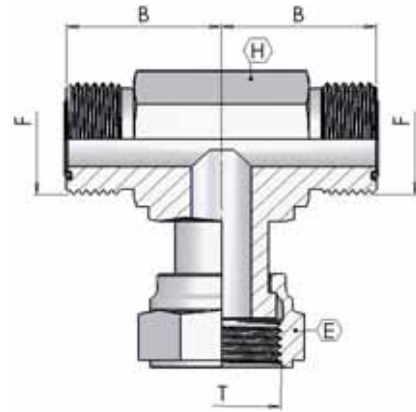
Female run tee



part number	Ø tube		Dimensions					
	mm	inch	F	T	B	C	H	E
6620-06	6	1/4"	9/16"-18	9/16"-18	22	27	14	19
6620-09	8-10	5/16"-3/8"	11/16"-16	11/16"-16	25	29	19	22
6620-11	12	1/2"	13/16"-16	13/16"-16	28	38	19	24
6620-13	14-16	5/8"	1"-14	1"-14	34	41	27	30
6620-14	18-20	3/4"	1.3/16"-12	1.3/16"-12	38	47	30	36
6620-15	25	1"	1.7/16"-12	1.7/16"-12	42	54	37	41
6620-21	30-32	1.1/4"	1.11/16"-12	1.11/16"-12	45	58	41	50
6620-32	38	1.1/2"	2"-12	2"-12	49	61	48	60

6630 T con femmina girevole centrale

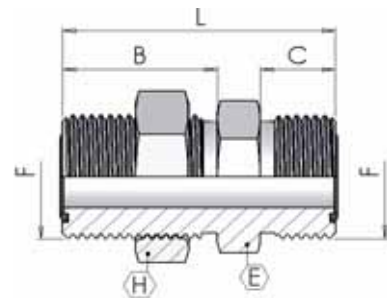
Female branch tee



part number	Ø tube		Dimensions					
	mm	inch	F	T	B	C	H	E
6630-06	6	1/4"	9/16"-18	9/16"-18	22	27	14	19
6630-09	8-10	5/16"-3/8"	11/16"-16	11/16"-16	25	29	19	22
6630-11	12	1/2"	13/16"-16	13/16"-16	28	38	19	24
6630-13	14-16	5/8"	1"-14	1"-14	34	41	27	30
6630-14	18-20	3/4"	1.3/16"-12	1.3/16"-12	38	47	30	36
6630-15	25	1"	1.7/16"-12	1.7/16"-12	42	54	37	41
6630-21	30-32	1.1/4"	1.11/16"-12	1.11/16"-12	45	58	41	50
6630-32	38	1.1/2"	2"-12	2"-12	49	61	48	60

6050 Passaparete

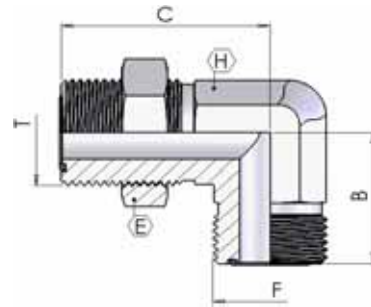
Bulkhead



part number	Dimensions					
	F	C	L	B	E	H
6050-06	9/16 - 18	10	48	32	17	22
6050-09	11/16 - 16	11	53	34	19	27
6050-11	13/16 - 16	13	58	37	22	30
6050-13	1 - 14	16	67	41	27	36
6050-14	1.3/16 - 12	17	69	42	32	41
6050-15	1.7/16 - 12	18	70	42	38	46
6050-21	1.11/16 - 12	18	70	42	46	50
6050-32	2 - 12	18	70	42	55	60

6510 **Passaparete a 90°**

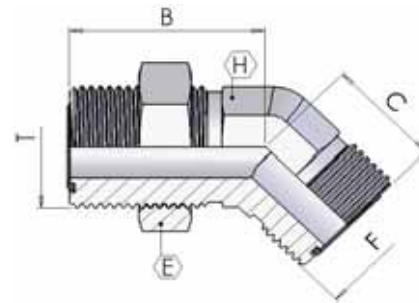
Bulkhead 90° Elbow Union



part number	Ø tube		Dimensions					
	mm	inch	F	T	B	C	E	H
6510-06	6	1/4"	9/16"-18	9/16"-18	23	47	22	14
6510-09	8-10	5/16"-3/8"	11/16"-16	11/16"-16	26	52	27	19
6510-11	12	1/2"	13/16"-16	13/16"-16	29	56	30	19
6510-13	14-16	5/8"	1"-14	1"-14	35	63	36	27
6510-14	18-20	3/4"	1.3/16"-12	1.3/16"-12	39	67	41	30
6510-15	25	1"	1.7/16"-12	1.7/16"-12	43	71	46	37
6510-21	30-32	1.1/4"	1.11/16"-12	1.11/16"-12	46	76	50	41
6510-32	38	1.1/2"	2"-12	2"-12	50	80	60	48

6520 **Passaparete a 45°**

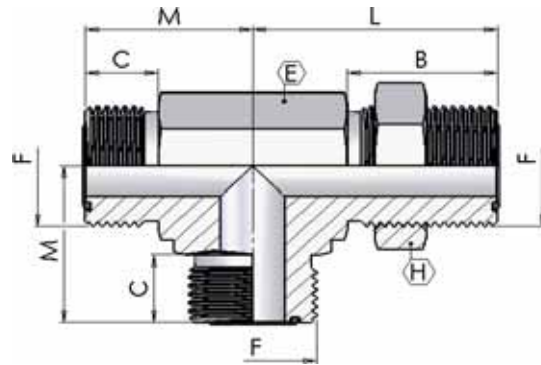
Bulkhead 45° Elbow Union



part number	Ø tube		Dimensions					
	mm	inch	F	T	B	C	E	H
6520-06	6	1/4"	9/16"-18	9/16"-18	47	23	22	14
6520-09	8-10	5/16"-3/8"	11/16"-16	11/16"-16	52	26	27	19
6520-11	12	1/2"	13/16"-16	13/16"-16	56	29	30	19
6520-13	14-16	5/8"	1"-14	1"-14	63	35	36	27
6520-14	18-20	3/4"	1.3/16"-12	1.3/16"-12	67	39	41	30
6520-15	25	1"	1.7/16"-12	1.7/16"-12	71	43	46	37
6520-21	30-32	1.1/4"	1.11/16"-12	1.11/16"-12	76	46	50	41
6520-32	38	1.1/2"	2"-12	2"-12	80	50	60	48

6500 T con passaparete laterale

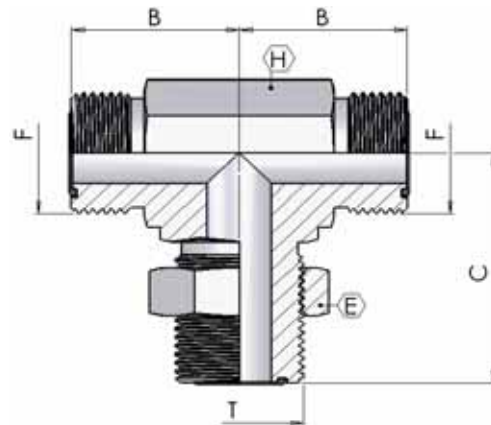
Bulkhead male run tee



part number	Ø tube		Dimensions						
	mm	inch	F	C	L	B	M	H	E
6500-06	6	1/4"	9/16 - 18	10	47	32	22	22	14
6500-09	8-10	5/16"-3/8"	11/16 - 16	11	52	34	25	27	19
6500-11	12	1/2"	13/16 - 16	13	55	37	28	30	19
6500-13	14-16	5/8"	1 - 14	16	63	41	33	36	27
6500-14	18-20	3/4"	1.3/16 - 12	17	67	42	37	41	30
6500-15	25	1"	1.7/16 - 12	18	71	42	42	46	37
6500-21	30-32	1.1/4"	1.11/16 - 12	18	75	42	45	50	41
6500-32	38	1.1/2"	2 - 12	18	80	42	49	60	48

6490 T con passaparete centrale

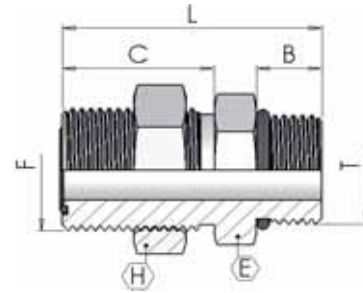
Bulkhead male Branch tee



part number	Ø tube		Dimensions					
	mm	inch	F	T	B	C	E	H
6490-06	6	1/4"	9/16"-18	9/16"-18	23	47	22	14
6490-09	8-10	5/16"-3/8"	11/16"-16	11/16"-16	26	52	27	19
6490-11	12	1/2"	13/16"-16	13/16"-16	29	56	30	19
6490-13	14-16	5/8"	1"-14	1"-14	35	63	36	27
6490-14	18-20	3/4"	1.3/16"-12	1.3/16"-12	39	67	41	30
6490-15	25	1"	1.7/16"-12	1.7/16"-12	43	71	46	37
6490-21	30-32	1.1/4"	1.11/16"-12	1.11/16"-12	46	76	50	41
6490-32	38	1.1/2"	2"-12	2"-12	50	80	60	48

6150 Passaparete UNF

Straight bulkhead UNF male X ORFS male

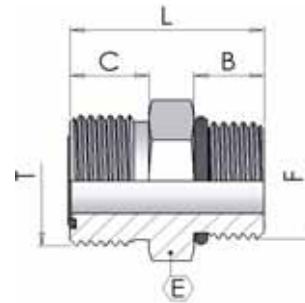


Filettatura / Thread:
UNF/UN (ISO 11926-1)

part number	Ø tube		Dimensions						
	mm	inch	T	F	C	L	B	E	H
6150-04-06	6	1/4"	7/16 - 20	9/16 - 18	32	49	11	17	22
6150-06-09	8-10	5/16"-3/8"	9/16 - 18	11/16 - 16	34	54	12	19	27
6150-08-11	12	1/2"	3/4 - 16	13/16 - 16	37	60	14	22	30
6150-10-13	14-16	5/8"	7/8 - 14	1 - 14	41	67	16	27	36
6150-12-14	18-20	3/4"	1.1/16 - 12	1.3/16 - 12	42	71	19	32	41
6150-16-15	25	1"	1.5/16 - 12	1.7/16 - 12	42	71	19	38	46
6150-20-21	30-32	1.1/4"	1.5/8 - 12	1.11/16 - 12	42	71	19	46	50
6150-24-32	38	1.1/2"	1.7/8 - 12	2 - 12	42	71	19	55	60

6100 Niplo maschio ORFS/UNF

UNF male X ORFS male connector



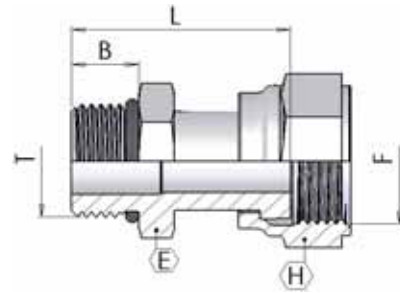
Filettatura / Thread:
UNF/UN (ISO 11926-1)

part number	Ø tube		Dimensions					
	mm	inch	F	T	C	L	B	E
6100-04-06	6	1/4"	7/16 - 20	9/16 - 18	10	29	11	17
6100-06-06	8-10	5/16"-3/8"	9/16 - 18	9/16 - 18	10	31	12	19
6100-06-09	8-10	5/16"-3/8"	9/16 - 18	11/16 - 16	11	32	12	19
6100-08-11	12	1/2"	3/4 - 16	13/16 - 16	13	37	14	22
6100-10-09	8-10	5/16"-3/8"	7/8 - 14	11/16 - 16	11	39	16	27
6100-10-13	14-16	5/8"	7/8 - 14	1 - 14	16	43	16	27
6100-10-14	18-20	3/4"	7/8 - 14	1.3/16 - 12	17	51	13	32
6100-12-14	18-20	3/4"	1.1/16 - 12	1.3/16 - 12	17	49	19	32
6100-12-15	25	1"	1.1/16 - 12	1.7/16 - 12	18	54	19	38
6100-16-14	18-20	3/4"	1.5/16 - 12	1.3/16 - 12	17	50	19	38
6100-16-15	25	1"	1.5/16 - 12	1.7/16 - 12	18	50	19	38
6100-20-15	25	1"	1.5/8 - 12	1.7/16 - 12	18	52	19	46
6100-20-21	30-32	1.1/4"	1.5/8 - 12	1.11/16 - 12	18	52	19	46
6100-24-32	38	1.1/2"	1.7/8 - 12	2 - 12	18	54	19	55

6120 **Femmina girevole ORFS/UNF**

Swivel Nut Female ORFS/UNF

Filettatura / Thread:
UNF/UN (ISO 11926-1)

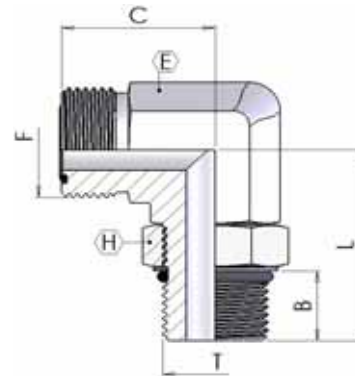


part number	Ø tube		Dimensions						
	mm	inch	F	T	B	L	E	H	
6120-04-06	6	1/4"	9/16"-18	7/16-20	11	38	16	19	
6120-04-09	8-10	5/16"-3/8"	11/16"-16	7/16-20	11	-	19	22	
6120-06-09	8-10	5/16"-3/8"	11/16"-16	9/16-18	12	41	19	22	
6120-08-09	8-10	5/16"-3/8"	11/16"-16	3/4-16	14	-	22	22	
6120-08-11	12	1/2"	13/16"-16	3/4-16	14	50	22	24	
6120-08-13	14-16	5/8"	1"-14	3/4-16	14	-	27	30	
6120-10-11	12	1/2"	13/16"-16	7/8-14	16	-	27	24	
6120-10-13	14-16	5/8"	1"-14	7/8-14	16	54	27	30	
6120-10-14	18-20	3/4"	1.3/16"-12	7/8-14	16	-	32	36	
6120-12-13	14-16	5/8"	1"-14	1.1/16-12	19	-	32	30	
6120-12-14	18-20	3/4"	1.3/16"-12	1.1/16-12	19	60	32	36	
6120-16-14	18-20	3/4"	1.3/16"-12	1.5/16-12	19	-	38	36	
6120-16-15	25	1"	1.7/16"-12	1.5/16-12	19	68	38	41	
6120-20-21	30-32	1.1/4"	1.11/16"-12	1.5/8-12	19	68	50	50	
6120-24-32	38	1.1/2"	2"-12	1.7/8-12	19	68	55	60	

6200 **Gomito 90° orientabile ORFS/UNF**

90° elbow "adjustable" connector ORFS male X
UNF male

Filettatura / Thread:
UNF/UN (ISO 11926-1)

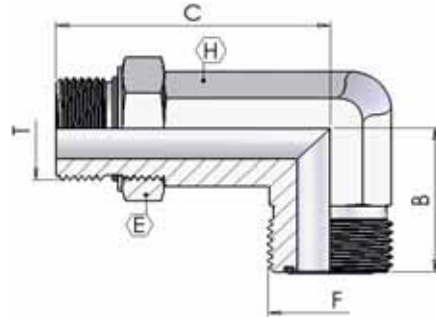


part number	Ø tube		Dimensions							
	mm	inch	T	F	C	L	B	H	E	
6200-04-06	6	1/4"	7/16 - 20	9/16 - 18	22	33	11	17	14	
6200-06-06	6	1/4"	9/16 - 18	9/16 - 18	23	37	12	17	19	
6200-06-09	8-10	5/16"-3/8"	9/16 - 18	11/16 - 16	25	37	12	19	19	
6200-08-11	12	1/2"	3/4 - 16	13/16 - 16	28	41	14	22	19	
6200-10-13	14-16	5/8"	7/8 - 14	1 - 14	33	50	16	27	27	
6200-12-14	18-20	3/4"	1.1/16 - 12	1.3/16 - 12	37	55	19	32	30	
6200-16-15	25	1"	1.5/16 - 12	1.7/16 - 12	42	60	19	38	37	
6200-20-21	30-32	1.1/4"	1.5/8 - 12	1.11/16 - 12	45	62	19	46	41	
6200-24-32	38	1.1/2"	1.7/8 - 12	2 - 12	49	66	19	55	48	

6950 **Gomito a 90° Orientabile Lungo ORFS/UNF**

Long Adjustale Elbow ORFS/UNF

Filettatura / Thread:
UNF/UN (ISO 11926-1)

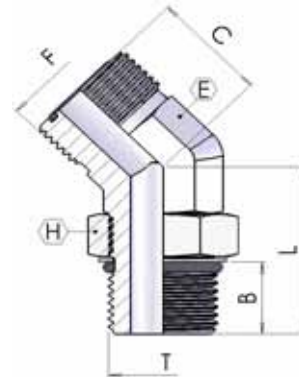


part number	Ø tube		Dimensions					
	mm	inch	F	T	B	C	E	H
6950-04-06	6	1/4"	9/16"-18	7/16-20	22	57	16	14
6950-04-09	8-10	5/16"-3/8"	11/16"-16	7/16-20	25	-	16	19
6950-06-09	8-10	5/16"-3/8"	11/16"-16	9/16-18	25	67	19	19
6950-08-09	8-10	5/16"-3/8"	11/16"-16	3/4-16	27	75	24	19
6950-08-11	12	1/2"	13/16"-16	3/4-16	28	75	24	19
6950-08-13	14-16	5/8"	1"-14	3/4-16	34	-	24	27
6950-10-11	12	1/2"	13/16"-16	7/8-14	31	89	27	27
6950-10-13	14-16	5/8"	1"-14	7/8-14	34	89	27	27
6950-10-14	18-20	3/4"	1.3/16"-12	7/8-14	-	-	27	30
6950-12-13	14-16	5/8"	1"-14	1.1/16-12	36	101	36	30
6950-12-14	18-20	3/4"	1.3/16"-12	1.1/16-12	38	101	36	30
6950-16-14	18-20	3/4"	1.3/16"-12	1.5/16-12	41	115	41	37
6950-16-15	25	1"	1.7/16"-12	1.5/16-12	42	115	41	37
6950-20-21	30-32	1.1/4"	1.11/16"-12	1.5/8-12	45	127	50	41
6950-24-32	38	1.1/2"	2"-12	1.7/8-12	49	139	55	48

6250 **Gomito 45° orientabile ORFS/UNF**

45° elbow "adjustable" connector ORFS male X
UNF male

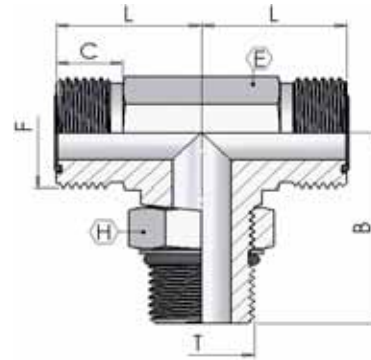
Filettatura / Thread:
UNF/UN (ISO 11926-1)



part number	Ø tube		Dimensions						
	mm	inch	T	F	C	L	B	H	E
6250-04-06	6	1/4"	7/16 - 20	9/16 - 18	16	30	10	17	14
6250-06-09	8-10	5/16"-3/8"	9/16 - 18	11/16 - 16	19	33	12	19	19
6250-08-11	12	1/2"	3/4 - 16	13/16 - 16	20	36	13	22	19
6250-10-13	14-16	5/8"	7/8 - 14	1 - 14	23	45	14	27	27
6250-12-14	18-20	3/4"	1.1/16 - 12	1.3/16 - 12	26	50	17	32	30
6250-16-15	25	1"	1.5/16 - 12	1.7/16 - 12	30	52	17	38	37
6250-20-21	30-32	1.1/4"	1.5/8 - 12	1.11/16 - 12	32	54	17	46	41
6250-24-32	38	1.1/2"	1.7/8 - 12	2 - 12	37	54	17	55	48

6400 T con maschio UNF centrale orientabile

Adjustable UNF male branch Tee

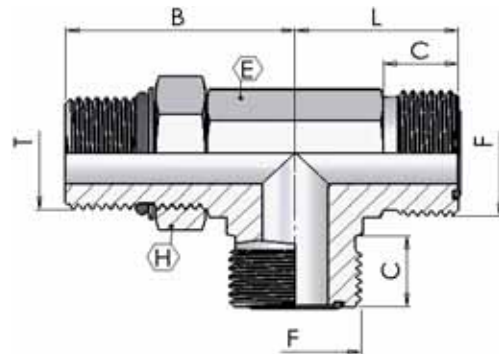


Filettatura / Thread:
UNF/UN (ISO 11926-1)

part number	Ø tube		Dimensions						
	mm	inch	T	F	C	L	B	H	E
6400-04-06	6	1/4"	7/16 - 20	9/16 - 18	10	22	33	17	14
6400-06-09	8-10	5/16"-3/8"	9/16 - 18	11/16 - 16	11	25	37	19	19
6400-08-11	12	1/2"	3/4 - 16	13/16 - 16	13	28	41	22	19
6400-10-13	14-16	5/8"	7/8 - 14	1 - 14	16	33	50	27	27
6400-12-14	18-20	3/4"	1.1/16 - 12	1.3/16 - 12	17	37	55	32	30
6400-16-15	25	1"	1.5/16 - 12	1.7/16 - 12	18	42	60	38	37
6400-20-21	30-32	1.1/4"	1.5/8 - 12	1.11/16 - 12	18	45	62	46	41
6400-24-32	38	1.1/2"	1.7/8 - 12	2 - 12	18	49	66	55	48

6450 T con maschio UNF laterale orientabile

Adjustable UNF male run Tee



Filettatura / Thread:
UNF/UN (ISO 11926-1)

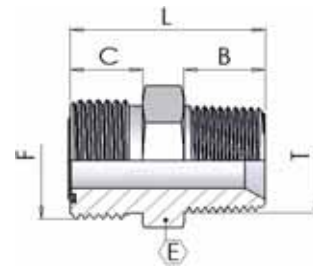
part number	Ø tube		Dimensions						
	mm	inch	T	F	C	L	B	H	E
6450-04-06	6	1/4"	7/16 - 20	9/16 - 18	10	22	33	17	14
6450-06-09	8-10	5/16"-3/8"	9/16 - 18	11/16 - 16	11	25	37	19	19
6450-08-11	12	1/2"	3/4 - 16	13/16 - 16	13	28	41	22	19
6450-10-13	14-16	5/8"	7/8 - 14	1 - 14	16	33	50	27	27
6450-12-14	18-20	3/4"	1.1/16 - 12	1.3/16 - 12	17	37	55	32	30
6450-16-15	25	1"	1.5/16 - 12	1.7/16 - 12	18	42	60	38	37
6450-20-21	30-32	1.1/4"	1.5/8 - 12	1.11/16 - 12	18	45	62	46	41
6450-24-32	38	1.1/2"	1.7/8 - 12	2 - 12	18	49	66	55	48

6820 Giunzione M/M ORFS/BSPT

Male Connector ORFS/BSPT

Filettatura / Thread:

BSPT (Form C DIN 3852)



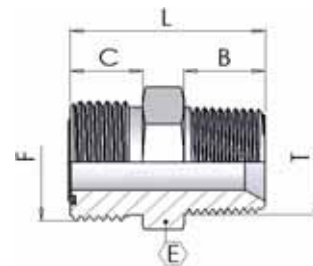
part number	Ø tube		Dimensions					
	mm	inch	F	T	B	C	L	E
6820-02-06	6	1/4"	9/16"-18	1/8	10	10	27	16
6820-04-06	6	1/4"	9/16"-18	1/4	15	10	33	16
6820-04-09	8-10	5/16"-3/8"	11/16"-16	1/4	15	11	34	19
6820-04-11	12	1/2"	13/16"-16	1/4	15	13	36	22
6820-06-09	8-10	5/16"-3/8"	11/16"-16	3/8	15	11	34	19
6820-06-11	12	1/2"	13/16"-16	3/8	15	13	36	22
6820-06-13	14-16	5/8"	1"-14	3/8	15	16	40	27
6820-08-11	12	1/2"	13/16"-16	1/2	19	13	42	22
6820-08-13	14-16	5/8"	1"-14	1/2	19	16	45	27
6820-08-14	18-20	3/4"	1.3/16"-12	1/2	19	17	48	32
6820-12-13	14-16	5/8"	1"-14	3/4	19	16	47	27
6820-12-14	18-20	3/4"	1.3/16"-12	3/4	19	17	48	23
6820-12-15	25	1"	1.7/16"-12	3/4	19	18	49	38
6820-16-14	18-20	3/4"	1.3/16"-12	1	24	17	54	36
6820-16-15	25	1"	1.7/16"-12	1	24	18	54	38
6820-16-21	30-32	1.1/4"	1.11/16"-12	1	24	18	56	46
6820-20-21	30-32	1.1/4"	1.11/16"-12	1.1/4	25	18	56	46
6820-20-32	38	1.1/2"	2"-12	1.1/4	25	18	58	55
6820-24-32	38	1.1/2"	2"-12	1.1/2	25	18	59	55

6830 Giunzione M/M ORFS/ NPTF

Male Connector ORFS/NPTF

Filettatura / Thread:

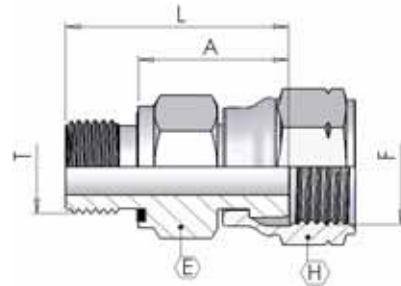
NPT (ANSI/ASME B1.20.1-1983)



part number	Ø tube		Dimensions					
	mm	inch	F	T	B	C	L	E
6830-02-06	6	1/4"	9/16"-18	1/8	10	10	27	16
6830-04-06	6	1/4"	9/16"-18	1/4	15	10	33	16
6830-04-09	8-10	5/16"-3/8"	11/16"-16	1/4	15	11	34	19
6830-04-11	12	1/2"	13/16"-16	1/4	15	13	36	22
6830-06-09	8-10	5/16"-3/8"	11/16"-16	3/8	15	11	34	19
6830-06-11	12	1/2"	13/16"-16	3/8	15	13	36	22
6830-06-13	14-16	5/8"	1"-14	3/8	15	16	40	27
6830-08-11	12	1/2"	13/16"-16	1/2	19	13	42	22
6830-08-13	14-16	5/8"	1"-14	1/2	19	16	45	27
6830-08-14	18-20	3/4"	1.3/16"-12	1/2	19	17	48	32
6830-12-13	14-16	5/8"	1"-14	3/4	19	16	47	27
6830-12-14	18-20	3/4"	1.3/16"-12	3/4	19	17	48	23
6830-12-15	25	1"	1.7/16"-12	3/4	19	18	49	38
6830-16-14	18-20	3/4"	1.3/16"-12	1	24	17	54	36
6830-16-15	25	1"	1.7/16"-12	1	24	18	54	38
6830-16-21	30-32	1.1/4"	1.11/16"-12	1	24	18	56	46
6830-20-21	30-32	1.1/4"	1.11/16"-12	1.1/4	25	18	56	46
6830-20-32	38	1.1/2"	2"-12	1.1/4	25	18	58	55
6830-24-32	38	1.1/2"	2"-12	1.1/2	25	18	59	55

6036 Femmina girevole ORFS / BSP con guarnizione ED (DIN 3852 form E)

Swivel Nut Female ORFS/BSP with "ED" seal (DIN 3852 form E)

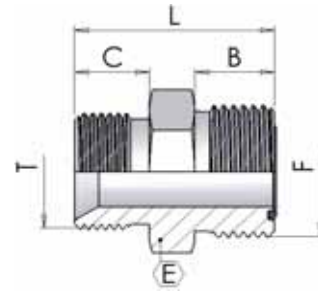

Filettatura / Thread:

BSPP (Form E DIN 3852)

part number	Ø tube		Dimensions					
	mm	inch	F	T	A	L	E	H
6036-02-06	6	1/4"	9/16"-18	1/8	26	34	17	14
6036-04-06	6	1/4"	9/16"-18	1/4	26	38	17	19
6036-04-09	8-10	5/16"-3/8"	11/16"-16	1/4	28	40	22	19
6036-04-11	12	1/2"	13/16"-16	1/4	35	47	24	22
6036-06-09	8-10	5/16"-3/8"	11/16"-16	3/8	28	40	22	22
6036-06-11	12	1/2"	13/16"-16	3/8	35	47	24	22
6036-08-09	8-10	5/16"-3/8"	11/16"-16	1/2	28	42	22	27
6036-08-11	12	1/2"	13/16"-16	1/2	35	49	24	27
6036-08-13	14-15-16	5/8"	1"-14	1/2	38	52	30	27
6036-08-14	18-20	3/4"	1.3/16"-12	1/2	41	55	36	30
6036-12-13	14-15-16	5/8"	1"-14	3/4	38	54	30	32
6036-12-14	18-20	3/4"	1.3/16"-12	3/4	41	57	36	32
6036-16-15	22-25	1"	1.7/16"-12	1	49	67	41	41
6036-20-21	28-30-32	1.1/4"	1.11/16"-12	1.1/4	49	69	50	50
6036-24-32	35-38	1.1/2"	2"-12	1.1/2	50	72	60	55

6810 Giunzione M/M ORFS/BSP

Giunzione M/M ORFS/BSP

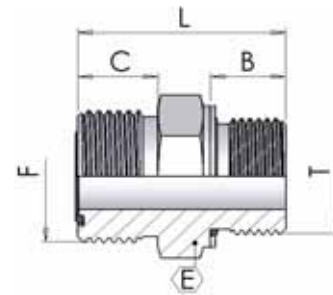


part number	Ø tube		Dimensions					
	mm	inch	F	T	B	C	L	E
6810-02-06	6	1/4"	9/16"-18	1/8-28	10	8	26	16
6810-04-09	8-10	5/16"-3/8"	11/16"-16	1/4-19	11	11	31	19
6810-06-11	12	1/2"	13/16"-16	3/8-19	13	12	35	22
6810-08-13	16	5/8"	1"-14	1/2-14	16	14	41	27
6810-12-14	20	3/4"	1.3/16"-12	3/4-11	17	16	46	32
6810-16-15	25	1"	1.7/16"-12	1-11	18	19	51	38
6810-20-21	32	1.1/4"	1.11/16"-12	1.1/4-11	18	20	54	46
6810-24-32	38	1.1/2"	2"-12	1.1/2-11	18	22	58	55

6800 Giunzione M/M ORFS/BSP O'Ring

Male Connector ORFS/BSP O'Ring

Filettatura / Thread:
BSPP (ISO 1179-3)

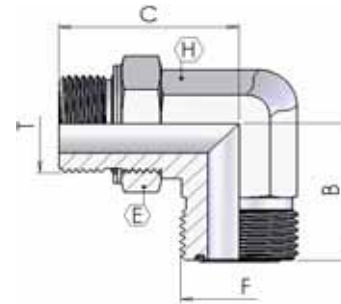


part number	Ø tube		Dimensions					
	mm	inch	F	T	B	C	L	E
6800-02-06	6	1/4"	9/16"-18	1/8-28	8	10	25	16
6800-04-06	6	1/4"	9/16"-18	1/4-19	12	10	31	19
6800-04-09	8-10	5/16"-3/8"	11/16"-16	1/4-19	12	11	32	19
6800-04-11	12	1/2"	13/16"-16	1/4-19	12	13	36	22
6800-06-06	6	1/4"	9/16"-18	3/8-19	12	10	31	24
6800-06-09	8-10	5/16"-3/8"	11/16"-16	3/8-19	12	11	32	24
6800-06-11	12	1/2"	13/16"-16	3/8-19	12	13	34	24
6800-06-13	14-16	5/8"	1"-14	3/8-19	11	16	37	27
6800-08-09	8-10	5/16"-3/8"	11/16"-16	1/2-14	14	11	35	27
6800-08-11	12	1/2"	13/16"-16	1/2-14	14	13	37	27
6800-08-13	14-16	5/8"	1"-14	1/2-14	15	16	40	30
6800-08-14	18-20	3/4"	1.3/16"-12	1/2-14	14	17	47	32
6800-12-11	12	1/2"	13/16"-16	3/4-11	16	13	41	36
6800-12-13	14-16	5/8"	1"-14	3/4-11	15	16	44	36
6800-12-14	18-20	3/4"	1.3/16"-12	3/4-11	15	17	45	36
6800-12-15	25	1"	1.7/16"-12	3/4-11	16	18	50	38
6800-16-13	14-16	5/8"	1"-14	1-11	18	16	48	41
6800-16-14	18-20	3/4"	1.3/16"-12	1-11	18	17	48	41
6800-16-15	25	1"	1.7/16"-12	1-11	18	18	48	41
6800-16-21	30-32	1.1/4"	1.11/16"-12	1-11	18	18	55	46
6800-20-15	25	1"	1.7/16"-12	1.1/4-11	20	18	52	50
6800-20-21	30-32	1.1/4"	1.11/16"-12	1.1/4-11	20	18	52	50
6800-24-32	38	1.1/2"	2"-12	1.1/2-11	22	18	56	60

6215 **Gomito a 90° Orientabile** **ORFS/BSP**

Adjustable Elbow ORFS/BSP

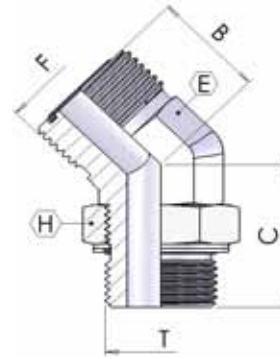
Filettatura / Thread:
BSPP (ISO 1179-3)



part number	Ø tube		Dimensions						
	mm	inch	F	T	B	C	H	E	
6215-02-06	6	1/4"	9/16"-18	1/8-28	22	30	14	14	
6215-04-06	6	1/4"	9/16"-18	1/4-19	24	36	19	19	
6215-04-09	8-10	5/16"-3/8"	11/16"-16	1/4-19	25	36	19	19	
6215-04-11	12	1/2"	13/16"-16	1/4-19	28	36	19	19	
6215-06-06	6	1/4"	9/16"-18	3/8-19	25	39	19	24	
6215-06-09	8-10	5/16"-3/8"	11/16"-16	3/8-19	27	39	19	24	
6215-06-11	12	1/2"	13/16"-16	3/8-19	28	39	19	24	
6215-06-13	14-16	5/8"	1"-14	3/8-19	34	44	27	24	
6215-08-09	8-10	5/16"-3/8"	11/16"-16	1/2-14	30	49	27	27	
6215-08-11	12	1/2"	13/16"-16	1/2-14	31	49	27	27	
6215-08-14	18-20	3/4"	1.3/16"-12	1/2-14	38	50	30	27	
6215-08-13	14-16	5/8"	1"-14	1/2-14	34	49	27	27	
6215-12-11	12	1/2"	13/16"-16	3/4-11	34	52	30	36	
6215-12-13	14-16	5/8"	1"-14	3/4-11	36	52	30	36	
6215-12-14	18-20	3/4"	1.3/16"-12	3/4-11	38	52	30	36	
6215-12-15	25	1"	1.7/16"-12	3/4-11	42	58	37	36	
6215-16-14	18-20	3/4"	1.3/16"-12	1-11	41	59	37	41	
6215-16-15	25	1"	1.7/16"-12	1-11	42	59	37	41	
6215-16-21	30-32	1.1/4"	1.11/16"-12	1-11	45	61	41	41	
6215-20-15	25	1"	1.7/16"-12	1.1/4-11	45	61	41	50	
6215-20-21	30-32	1.1/4"	1.11/16"-12	1.1/4-11	45	61	41	50	
6215-24-32	38	1.1/2"	2"-12	1.1/2-11	49	65	48	60	

6260 **Gomito a 45° Orientabile ORFS/BSP**

Adjustable 45° Elbow ORFS/BSP

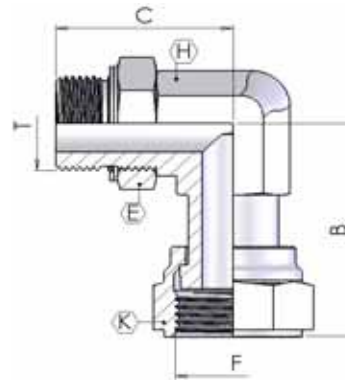


Filettatura / Thread:
BSPP (ISO 1179-3)

part number	Ø tube		Dimensions					
	mm	inch	F	T	B	C	H	E
6260-02-06	6	1/4"	9/16"-18	1/8-28	22	27	14	14
6260-04-06	6	1/4"	9/16"-18	1/4-19	24	32	19	19
6260-04-09	8-10	5/16"-3/8"	11/16"-16	1/4-19	25	32	19	19
6260-04-11	12	1/2"	13/16"-16	1/4-19	28	33	19	19
6260-06-06	6	1/4"	9/16"-18	3/8-19	25	34	24	19
6260-06-09	8-10	5/16"-3/8"	11/16"-16	3/8-19	27	34	24	19
6260-06-11	12	1/2"	13/16"-16	3/8-19	28	34	24	19
6260-06-13	14-16	5/8"	1"-14	3/8-19	34	34	24	27
6260-08-09	8-10	5/16"-3/8"	11/16"-16	1/2-14	30	42	27	27
6260-08-11	12	1/2"	13/16"-16	1/2-14	31	42	27	27
6260-08-14	18-20	3/4"	1.3/16"-12	1/2-14	38	46	27	30
6260-08-13	14-16	5/8"	1"-14	1/2-14	34	42	27	27
6260-12-11	12	1/2"	13/16"-16	3/4-11	34	47	36	30
6260-12-13	14-16	5/8"	1"-14	3/4-11	36	47	36	30
6260-12-14	18-20	3/4"	1.3/16"-12	3/4-11	38	47	36	30
6260-12-15	25	1"	1.7/16"-12	3/4-11	42	47	36	37
6260-16-14	18-20	3/4"	1.3/16"-12	1-11	41	51	41	37
6260-16-15	25	1"	1.7/16"-12	1-11	45	51	41	37
6260-16-21	30-32	1.1/4"	1.11/16"-12	1-11	45	52	41	41
6260-20-15	25	1"	1.7/16"-12	1.1/4-11	45	52	50	41
6260-20-21	30-32	1.1/4"	1.11/16"-12	1.1/4-11	45	52	50	41
6260-24-32	38	1.1/2"	2"-12	1.1/2-11	49	52	60	48

6340 **Gomito a 90° Orientabile con Femmina Girevole ORFS/BSP**

Adjustable Elbow with Swivel Nut ORFS/BSP

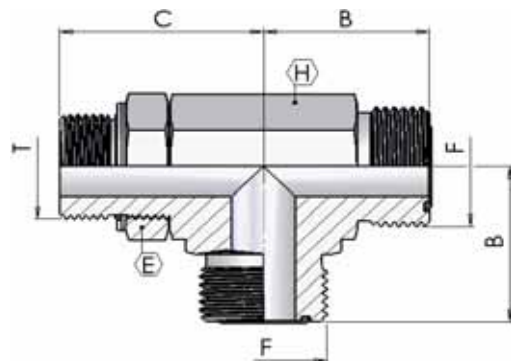


Filettatura / Thread:
BSPP (ISO 1179-3)

part number	Ø tube		Dimensions						
	mm	inch	F	T	B	C	E	H	K
6340-02-06	6	1/4"	9/16"-18	1/8"	27	30	14	14	19
6340-04-09	8-10	5/16"-3/8"	11/16"-16	1/4"	29	36	19	19	22
6340-06-11	12	1/2"	13/16"-16	3/8"	38	39	24	19	24
6340-08-13	14-16	5/8"	1"-14	1/2"	41	49	27	27	30
6340-12-14	18-20	3/4"	1.3/16"-12	3/4"	47	52	36	30	36
6340-16-15	25	1"	1.7/16"-12	1"	54	59	41	37	41
6340-20-21	30-32	1.1/4"	1.11/16"-12	1.1/4"	58	61	50	41	50
6340-24-32	38	1.1/2"	2"-12	1.1/2"	61	65	50	48	60

6460 **T ORFS con maschio BSP laterale orientabile**

Adjustable Run Tee ORFS/BSP



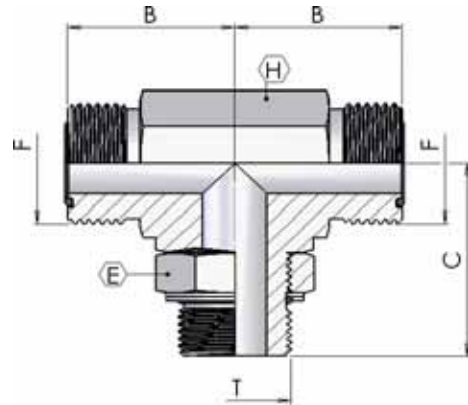
Filettatura / Thread:
BSPP (ISO 1179-3)

part number	Ø tube		Dimensions					
	mm	inch	F	T	B	C	H	E
6460-02-06	6	1/4"	9/16"-18	1/8-28	22	30	14	14
6460-04-06	6	1/4"	9/16"-18	1/4-19	24	36	19	19
6460-04-09	8-10	5/16"-3/8"	11/16"-16	1/4-19	25	36	19	19
6460-04-11	12	1/2"	13/16"-16	1/4-19	28	36	19	19
6460-06-06	6	1/4"	9/16"-18	3/8-19	25	39	19	24
6460-06-09	8-10	5/16"-3/8"	11/16"-16	3/8-19	27	39	19	24
6460-06-11	12	1/2"	13/16"-16	3/8-19	28	39	19	24
6460-06-13	14-16	5/8"	1"-14	3/8-19	34	44	27	24
6460-08-09	8-10	5/16"-3/8"	11/16"-16	1/2-14	30	49	27	27
6460-08-11	12	1/2"	13/16"-16	1/2-14	31	49	27	27
6460-08-14	18-20	3/4"	1.3/16"-12	1/2-14	38	50	30	27
6460-08-13	14-16	5/8"	1"-14	1/2-14	34	49	27	27
6460-12-11	12	1/2"	13/16"-16	3/4-11	34	52	30	36
6460-12-13	14-16	5/8"	1"-14	3/4-11	36	52	30	36
6460-12-14	18-20	3/4"	1.3/16"-12	3/4-11	38	52	30	36
6460-12-15	25	1"	1.7/16"-12	3/4-11	42	58	37	36
6460-16-14	18-20	3/4"	1.3/16"-12	1-11	41	59	37	41
6460-16-15	25	1"	1.7/16"-12	1-11	42	59	37	41
6460-16-21	30-32	1.1/4"	1.11/16"-12	1-11	45	61	41	41
6460-20-15	25	1"	1.7/16"-12	1.1/4-11	45	61	41	50
6460-20-21	30-32	1.1/4"	1.11/16"-12	1.1/4-11	45	61	41	50
6460-24-32	38	1.1/2"	2"-12	1.1/2-11	49	65	48	60

6410 T ORFS con maschio BSP centrale orientabile

Adjustable Branch Tee ORFS/BSP

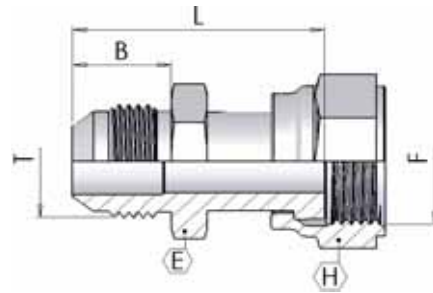
Filettatura / Thread:
BSPP (ISO 1179-3)



part number	Ø tube		Dimensions					
	mm	inch	F	T	B	C	H	E
6410-02-06	6	1/4"	9/16"-18	1/8-28	22	30	14	14
6410-04-06	6	1/4"	9/16"-18	1/4-19	24	36	19	19
6410-04-09	8-10	5/16"-3/8"	11/16"-16	1/4-19	25	36	19	19
6410-04-11	12	1/2"	13/16"-16	1/4-19	28	36	19	19
6410-06-06	6	1/4"	9/16"-18	3/8-19	25	39	19	24
6410-06-09	8-10	5/16"-3/8"	11/16"-16	3/8-19	27	39	19	24
6410-06-11	12	1/2"	13/16"-16	3/8-19	28	39	19	24
6410-06-13	14-16	5/8"	1"-14	3/8-19	34	44	27	24
6410-08-09	8-10	5/16"-3/8"	11/16"-16	1/2-14	30	49	27	27
6410-08-11	12	1/2"	13/16"-16	1/2-14	31	49	27	27
6410-08-14	18-20	3/4"	1.3/16"-12	1/2-14	38	50	30	27
6410-08-13	14-16	5/8"	1"-14	1/2-14	34	49	27	27
6410-12-11	12	1/2"	13/16"-16	3/4-11	34	52	30	36
6410-12-13	14-16	5/8"	1"-14	3/4-11	36	52	30	36
6410-12-14	18-20	3/4"	1.3/16"-12	3/4-11	38	52	30	36
6410-12-15	25	1"	1.7/16"-12	3/4-11	42	58	37	36
6410-16-14	18-20	3/4"	1.3/16"-12	1-11	41	59	37	41
6410-16-15	25	1"	1.7/16"-12	1-11	42	59	37	41
6410-16-21	30-32	1.1/4"	1.11/16"-12	1-11	45	61	41	41
6410-20-15	25	1"	1.7/16"-12	1.1/4-11	45	61	41	50
6410-20-21	30-32	1.1/4"	1.11/16"-12	1.1/4-11	45	61	41	50
6410-24-32	38	1.1/2"	2"-12	1.1/2-11	49	65	48	60

6125 Femmina girevole ORFS/JIC

Swivel Nut Female ORFS/JIC



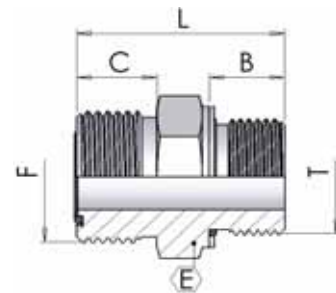
Filettatura / Thread:

UN/UNF (ISO 8434-2)

part number	Ø tube		Dimensions					
	mm	inch	F	T	B	L	E	H
6125-04-06	6	1/4"	9/16"-18	7/16-20	14	41	13	19
6125-06-09	8-10	5/16"-3/8"	11/16"-16	9/16-18	14	43	16	22
6125-08-11	12	1/2"	13/16"-16	3/4-16	17	53	22	24
6125-10-13	16	5/8"	1"-14	7/8-14	20	58	24	30
6125-12-14	20	3/4"	1.3/16"-12	1.1/16-12	22	64	30	36
6125-16-15	25	1"	1.7/16"-12	1.5/16-12	23	72	36	41
6125-20-21	32	1.1/4"	1.11/16"-12	1.5/8-12	25	74	42	50
6125-24-32	38	1.1/2"	2"-12	1.7/8-12	28	77	50	60

6900 Giunzione M/M ORFS/ Metrico DIN 3852-1

Giunzione M/M ORFS/ Metrico DIN 3852-1



Filettatura / Thread:

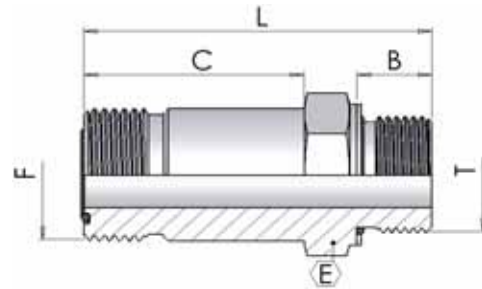
Metric Parallel

part number	Ø tube		Dimensions					
	mm	inch	F	T	B	C	L	E
6900-10-06	6	1/4"	9/16"-18	M10x1	9	34	26	16
6900-12-06	6	1/4"	9/16"-18	M12x1,5	12	34	29	17
6900-14-09	8-10	5/16"-3/8"	11/16"-16	M14x1,5	-	37	31	19
6900-16-09	8-10	5/16"-3/8"	11/16"-16	M16x1,5	13	37	33	22
6900-16-11	12	1/2"	13/16"-16	M16x1,5	-	45	38	22
6900-18-11	12	1/2"	13/16"-16	M18x1,5	14	45	36	24
6900-18-13	14-16	5/8"	1"-14	M18x1,5	-	53	43	27
6900-22-13	14-16	5/8"	1"-14	M22x1,5	15	53	41	30
6900-22-14	18-20	3/4"	1.3/16"-12	M22x1,5	-	64	-	32
6900-27-14	18-20	3/4"	1.3/16"-12	M27x2	19	64	48	36
6900-27-15	25	1"	1.7/16"-12	M27x2	-	73	-	38
6900-33-15	25	1"	1.7/16"-12	M33x2	19	73	50	41
6900-42-21	30-32	1.1/4"	1.11/16"-12	M42x2	19	87	53	50
6900-48-32	38	1.1/2"	2"-12	M48x2	22	97	55	60

6920 Giunzione Lunga M/M ORFS/ Metric DIN 3852-1

Long Male Connector ORFS/ Metric DIN 3852-1

Filettatura / Thread:
Metric Parallel

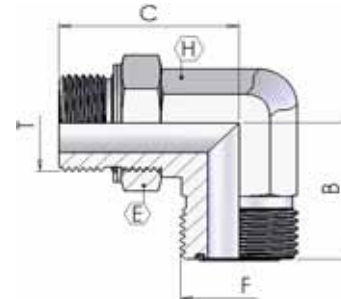


part number	Ø tube		Dimensions					
	mm	inch	F	T	B	C	L	E
6920-10-06	6	1/4"	9/16"-18	M10x1	9	34	50	16
6920-12-06	6	1/4"	9/16"-18	M12x1,5	12	34	53	17
6920-14-09	8-10	5/16"-3/8"	11/16"-16	M14x1,5	-	37	57	19
6920-16-09	8-10	5/16"-3/8"	11/16"-16	M16x1,5	13	37	59	22
6920-16-11	12	1/2"	13/16"-16	M16x1,5	-	45	69	22
6920-18-11	12	1/2"	13/16"-16	M18x1,5	14	45	68	24
6920-18-13	14-16	5/8"	1"-14	M18x1,5	-	53	80	27
6920-22-13	14-16	5/8"	1"-14	M22x1,5	15	53	78	30
6920-22-14	18-20	3/4"	1.3/16"-12	M22x1,5	-	64	-	32
6920-27-14	18-20	3/4"	1.3/16"-12	M27x2	19	64	95	36
6920-27-15	25	1"	1.7/16"-12	M27x2	-	73	-	38
6920-33-15	25	1"	1.7/16"-12	M33x2	19	73	106	41
6920-42-21	30-32	1.1/4"	1.11/16"-12	M42x2	19	87	122	50
6920-48-32	38	1.1/2"	2"-12	M48x2	22	97	135	60

6320 Gomito a 90° Orientabile ORFS/ Metric DIN 3852-1

Adjustable Elbow ORFS/ Metric DIN 3852-1

Filettatura / Thread:
Metric Parallel

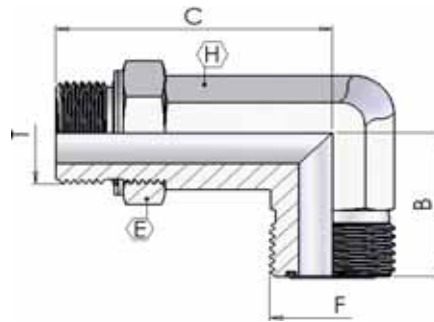


part number	Ø tube		Dimensions					
	mm	inch	F	T	B	C	H	E
6320-10-06	6	1/4"	9/16"-18	M10x1	22	32	14	14
6320-12-06	6	1/4"	9/16"-18	M12x1,5	22	33	14	17
6320-14-09	8-10	5/16"-3/8"	11/16"-16	M14x1,5	25	37	19	19
6320-16-09	8-10	5/16"-3/8"	11/16"-16	M16x1,5	25	37	19	22
6320-16-11	12	1/2"	13/16"-16	M16x1,5	28	40	19	22
6320-18-11	12	1/2"	13/16"-16	M18x1,5	28	40	19	24
6320-18-13	14-16	5/8"	1"-14	M18x1,5	34	45	27	24
6320-22-13	14-16	5/8"	1"-14	M22x1,5	34	49	27	27
6320-22-14	18-20	3/4"	1.3/16"-12	M22x1,5	38	50	30	27
6320-27-14	18-20	3/4"	1.3/16"-12	M27x2	38	55	30	36
6320-27-15	25	1"	1.7/16"-12	M27x2	42	56	37	36
6320-33-15	25	1"	1.7/16"-12	M33x2	42	60	37	41
6320-42-21	30-32	1.1/4"	1.11/16"-12	M42x2	45	62	41	50
6320-48-32	38	1.1/2"	2"-12	M48x2	49	68	48	60

6940 Gomito a 90° Orientabile Lungo ORFS/ Metrico DIN 3852-1

Long Adjustale Elbow ORFS/ Metric DIN 3852-1

Filettatura / Thread:
Metric Parallel

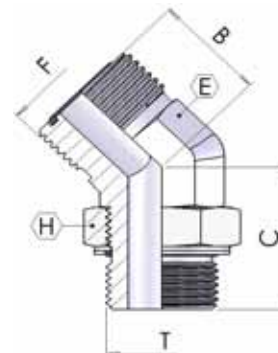


part number	Ø tube		Dimensions					
	mm	inch	F	T	B	C	L	E
6940-10-06	6	1/4"	9/16"-18	M10x1	22	56	14	14
6940-12-06	6	1/4"	9/16"-18	M12x1,5	22	57	14	17
6940-14-09	8-10	5/16"-3/8"	11/16"-16	M14x1,5	25	66	19	19
6940-16-09	8-10	5/16"-3/8"	11/16"-16	M16x1,5	25	72	19	22
6940-16-11	12	1/2"	13/16"-16	M16x1,5	28	74	19	22
6940-18-11	12	1/2"	13/16"-16	M18x1,5	28	75	19	24
6940-18-13	14-16	5/8"	1"-14	M18x1,5	34	84	27	24
6940-22-13	14-16	5/8"	1"-14	M22x1,5	34	88	27	27
6940-22-14	18-20	3/4"	1.3/16"-12	M22x1,5	38	96	30	27
6940-27-14	18-20	3/4"	1.3/16"-12	M27x2	38	100	30	36
6940-27-15	25	1"	1.7/16"-12	M27x2	42	111	37	36
6940-33-15	25	1"	1.7/16"-12	M33x2	42	115	37	41
6940-42-21	30-32	1.1/4"	1.11/16"-12	M42x2	45	127	41	50
6940-48-32	38	1.1/2"	2"-12	M48x2	49	142	48	60

6270 Gomito a 45° Orientabile ORFS/ Metrico DIN 3852-1

Adjustable 45° Elbow ORFS/ Metric DIN 3852-1

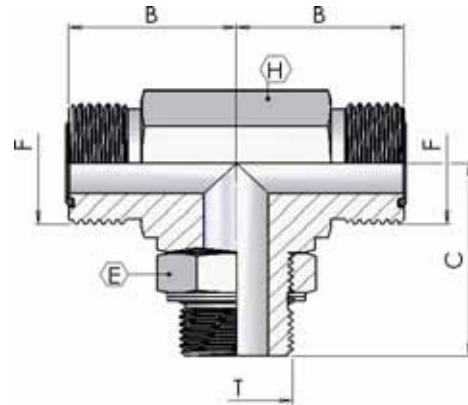
Filettatura / Thread:
Metric Parallel



part number	Ø tube		Dimensions					
	mm	inch	F	T	B	C	H	E
6270-10-06	6	1/4"	9/16"-18	M10x1	16	30	14	14
6270-12-06	6	1/4"	9/16"-18	M12x1,5	16	30	14	17
6270-14-09	8-10	5/16"-3/8"	11/16"-16	M14x1,5	19	-	19	19
6270-16-09	8-10	5/16"-3/8"	11/16"-16	M16x1,5	19	34	19	22
6270-16-11	12	1/2"	13/16"-16	M16x1,5	21	-	19	22
6270-18-11	12	1/2"	13/16"-16	M18x1,5	21	37	19	24
6270-18-13	14-16	5/8"	1"-14	M18x1,5	24	-	27	24
6270-22-13	14-16	5/8"	1"-14	M22x1,5	24	44	27	27
6270-22-14	18-20	3/4"	1.3/16"-12	M22x1,5	26	-	30	27
6270-27-14	18-20	3/4"	1.3/16"-12	M27x2	26	51	30	36
6270-27-15	25	1"	1.7/16"-12	M27x2	30	-	37	36
6270-33-15	25	1"	1.7/16"-12	M33x2	30	53	37	41
6270-42-21	30-32	1.1/4"	1.11/16"-12	M42x2	32	54	41	50
6270-48-32	38	1.1/2"	2"-12	M48x2	37	57	48	60

6420 T ORFS con maschio Metrico (DIN 3852-1) centrale orientabile

Adjustable Branch Tee ORFS/ Metric DIN 3852-1

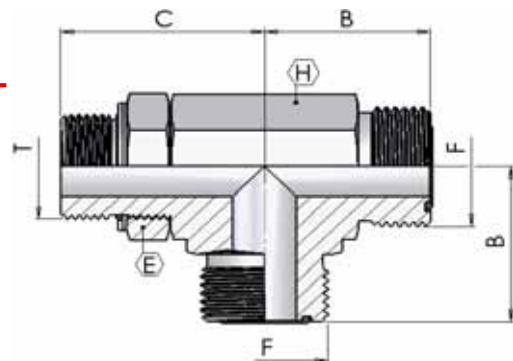


Filettatura / Thread:
Metric Parallel

part number	Ø tube		Dimensions					
	mm	inch	F	T	B	C	H	E
6420-10-06	6	1/4"	9/16"-18	M10x1	22	32	14	14
6420-12-06	6	1/4"	9/16"-18	M12x1,5	22	33	14	17
6420-14-09	8-10	5/16"-3/8"	11/16"-16	M14x1,5	25	37	19	19
6420-16-09	8-10	5/16"-3/8"	11/16"-16	M16x1,5	25	37	19	22
6420-16-11	12	1/2"	13/16"-16	M16x1,5	28	40	19	22
6420-18-11	12	1/2"	13/16"-16	M18x1,5	28	40	19	24
6420-18-13	14-16	5/8"	1"-14	M18x1,5	34	45	27	24
6420-22-13	14-16	5/8"	1"-14	M22x1,5	34	49	27	27
6420-22-14	18-20	3/4"	1.3/16"-12	M22x1,5	38	50	30	27
6420-27-14	18-20	3/4"	1.3/16"-12	M27x2	38	55	30	36
6420-27-15	25	1"	1.7/16"-12	M27x2	42	56	37	36
6420-33-15	25	1"	1.7/16"-12	M33x2	42	60	37	41
6420-42-21	30-32	1.1/4"	1.11/16"-12	M42x2	45	62	41	50
6420-48-32	38	1.1/2"	2"-12	M48x2	49	68	48	60

6470 T ORFS con maschio Metrico (DIN 3852-1) laterale orientabile

Adjustable Run Tee ORFS/ Metric DIN 3852-1



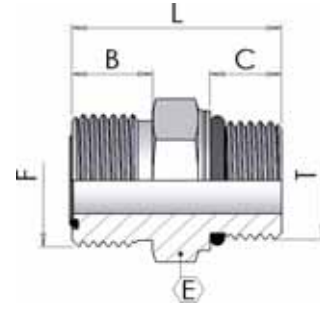
Filettatura / Thread:
Metric Parallel

part number	Ø tube		Dimensions					
	mm	inch	F	T	B	C	H	E
6470-10-06	6	1/4"	9/16"-18	M10x1	22	32	14	14
6470-12-06	6	1/4"	9/16"-18	M12x1,5	22	33	14	17
6470-14-09	8-10	5/16"-3/8"	11/16"-16	M14x1,5	25	37	19	19
6470-16-09	8-10	5/16"-3/8"	11/16"-16	M16x1,5	25	37	19	22
6470-16-11	12	1/2"	13/16"-16	M16x1,5	28	40	19	22
6470-18-11	12	1/2"	13/16"-16	M18x1,5	28	40	19	24
6470-18-13	14-16	5/8"	1"-14	M18x1,5	34	45	27	24
6470-22-13	14-16	5/8"	1"-14	M22x1,5	34	49	27	27
6470-22-14	18-20	3/4"	1.3/16"-12	M22x1,5	38	50	30	27
6470-27-14	18-20	3/4"	1.3/16"-12	M27x2	38	55	30	36
6470-27-15	25	1"	1.7/16"-12	M27x2	42	56	37	36
6470-33-15	25	1"	1.7/16"-12	M33x2	42	60	37	41
6470-42-21	30-32	1.1/4"	1.11/16"-12	M42x2	45	62	41	50
6470-48-32	38	1.1/2"	2"-12	M48x2	49	68	48	60

6840 Giunzione M/M ORFS/ Metrico ISO 6149-2

Male Connector ORFS/ Metric ISO 6149-2

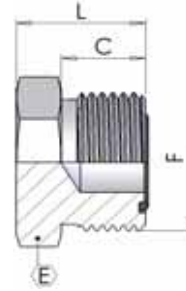
Filettatura / Thread:
Metric (ISO 6149-2)



part number	Ø tube		Dimensions						
	mm	inch	F	T	B	C	L	E	
6840-10-06	6	1/4"	9/16"-18	M10x1	9,8	9	27	17	
6840-12-06	6	1/4"	9/16"-18	M12x1,5	9,8	11	29	17	
6840-12-09	8-10	5/16"-3/8"	11/16"-16	M12x1,5	11,2	11	34	19	
6840-14-06	6	1/4"	9/16"-18	M14x1,5	9,8	11	30	19	
6840-14-09	8-10	5/16"-3/8"	11/16"-16	M14x1,5	11,2	11	31	19	
6840-14-11	12	1/2"	13/16"-16	M14x1,5	12,8	11	35	22	
6840-16-09	8-10	5/16"-3/8"	11/16"-16	M16x1,5	11,2	13	34	22	
6840-16-11	12	1/2"	13/16"-16	M16x1,5	12,8	13	37	24	
6840-18-09	8-10	5/16"-3/8"	11/16"-16	M18x1,5	11,2	14	35	24	
6840-18-11	12	1/2"	13/16"-16	M18x1,5	12,8	14	37	24	
6840-18-13	14-15-16	5/8"	1"-14	M18x1,5	15,5	14	41	27	
6840-22-09	8-10	5/16"-3/8"	11/16"-16	M22x1,5	11,2	15	38	27	
6840-22-11	12	1/2"	13/16"-16	M22x1,5	12,8	15	39	27	
6840-22-13	14-15-16	5/8"	1"-14	M22x1,5	15,5	15	42	27	
6840-22-14	18-20	3/4"	1.3/16"-12	M22x1,5	17,0	15	50	32	
6840-27-11	12	1/2"	13/16"-16	M27x2	12,8	18	44	32	
6840-27-14	18-20	3/4"	1.3/16"-12	M27x2	17,0	19	49	32	
6840-27-15	22-25	1"	1.7/16"-12	M27x2	17,5	18	54	41	
6840-33-14	18-20	3/4"	1.3/16"-12	M33x2	17,0	19	50	41	
6840-33-15	22-25	1"	1.7/16"-12	M33x2	17,5	18	52	41	
6840-33-21	28-30-32	1.1/4"	1.11/16"-12	M33x2	17,5	18	54	46	
6840-42-21	28-30-32	1.1/4"	1.11/16"-12	M42x2	17,5	19	55	50	
6840-42-32	35-38	1.1/2"	2"-12	M42x2	17,5	19	60	55	
6840-48-32	35-38	1.1/2"	2"-12	M48x2	17,5	21	57	55	

6600 Tappo maschio

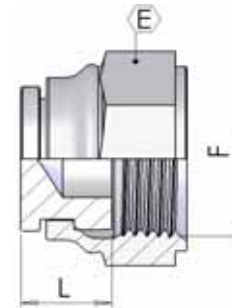
Male plug



part number	Dimensions			
	F	C	L	E
6600-06	9/16 - 18	10	17	17
6600-09	11/16 - 16	11	19	19
6600-11	13/16 - 16	13	22	22
6600-13	1 - 14	16	26	27
6600-14	1.3/16 - 12	17	27	32
6600-15	1.7/16 - 12	18	28	38
6600-21	1.11/16 - 12	18	28	46
6600-32	2 - 12	18	28	55

6610 Tappo femmina girevole

Female Plug Swivel



part number	Dimensions			
	F		L	E
6610-06	9/16 - 18		13	19
6610-09	11/16 - 16		15	22
6610-11	13/16 - 16		15	24
6610-13	1 - 14		17	30
6610-14	1.3/16 - 12		16	36
6610-15	1.7/16 - 12		19	41
<i>Dado Libero</i> 6610-21	1.11/16 - 12		22	50
<i>Dado Libero</i> 6610-32	2 - 12		22	60

